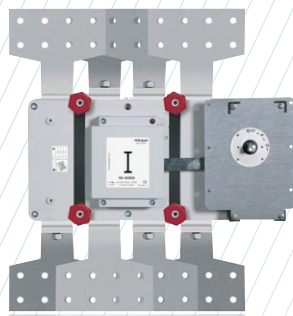
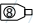




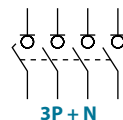
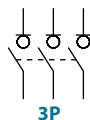
S5 AC Switch - disconnecter base mounting 3P - 3P+N

series
S5

Size 6
A 4000|5000|6300

	CODE-4000A 	CODE-5000A 	CODE-6300A 
3P	S5-40003PP0	S5-50003PP0	S5-63003PP0
3P + N	S5-40003NP0	S5-50003NP0	S5-63003NP0



Technical information



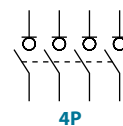
According to IEC 60947-3

				4000	5000	6300
Rated thermal current in ambient at	Ith	40 °C	A	4000	5000	6300
		50 °C	A	4000	5000	5670
		60 °C	A	3500	4400	5040
Rated insulation voltage	Ui	V	1000	1000	1000	
Rated impulse withstand voltage	Uimp	kV	12	12	12	
AC rated operational current ^{*(1)} (Rated operational frequency 50/60 Hz)	Ie	Ue 400V AC21A	A	4000	5000	6300
		Ue 400V AC22A	A	3500	4000	4000
		Ue 400V AC23A	A	2000	2500	2500

^{*(1)} Other voltages and / or utilization categories. Please consult

^{*(2)} Without limiting protective device (short-circuit maintained 50... 100 ms.)

				4000	5000	6300	
Rated breaking capacity		400V	AC21	A	6000	7500	9450
		400V	AC21	A	6000	7500	9450
Short - circuit behaviour							
Rated short-circuit making capacity ^{*(2)}	Icm	kA (peak)		100	100	100	
Rated short-time withstand current (1sec.)	Icw	kA rms		50	50	50	
Mechanical features							
Number of mechanical operations (according to the standards, for other values please consult)			Cycles	2000	2000	2000	
Maximum weight 3P			Kg	100	130	130	
Maximum weight 3P + N			Kg	110	140	140	



Also available 4P switch - disconnectors under request, please consult

Accessories



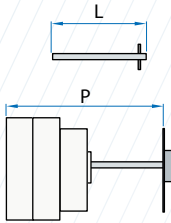
» External handle included shaft^{*(e1)}
 (Slider bar)
 CODE DS-EN61



» Auxiliary contacts

1NO+1NC CODE DS-AU11
 2NO+2NC CODE DS-AU12

Ie = 16 A (resistive loads)
 4 A (inductive loads) at 250 Vac.



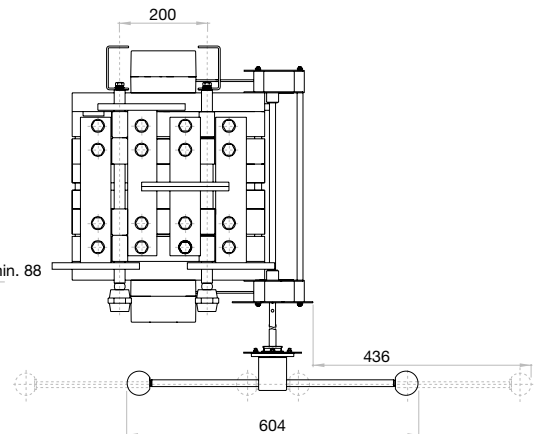
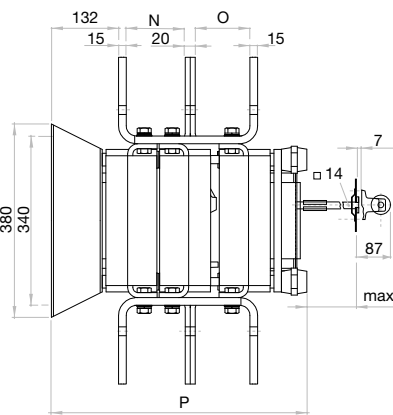
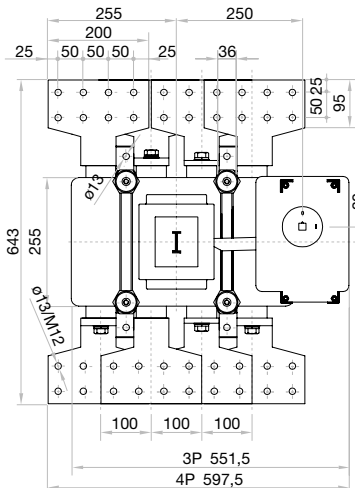
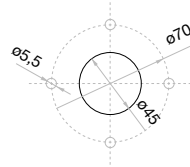
» Shafts

Standard shaft included ^{*(e1)}

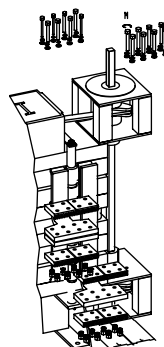
	L (mm)	P (mm)
4000 A	333	578... 728
5000 A	333	720... 870
6300 A	333	720... 870

Dimensions (mm)

Door drilling for external handle



	N	O	P	ø
4000 A	116	107,5	502,5	13
5000 A	164,5	164,5	632	
6300 A				



	H max (Cu)	L max (Cu)	M
4000 A	4x10		M12 45
5000 A	6x10	100	M12 45
6300 A			